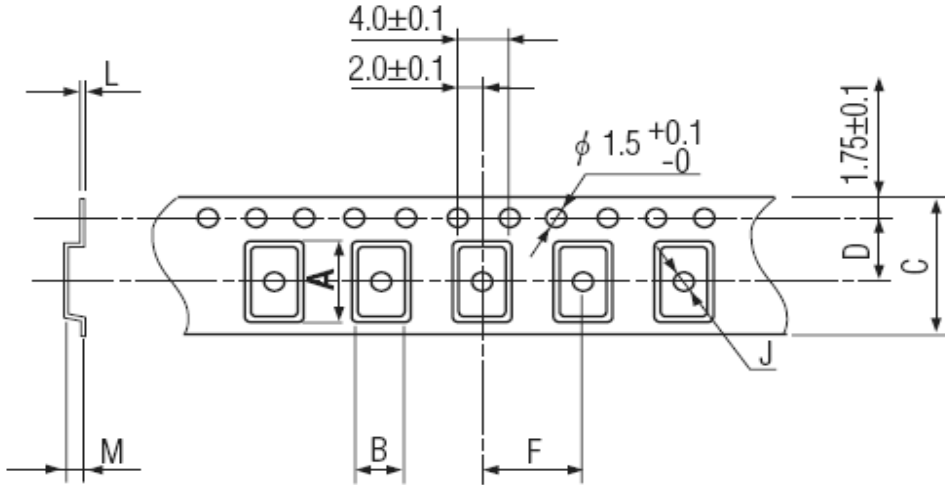


REVISIONS			
REV	DESCRIPTION	DATE	APPROVED



A	B	C	D	F	J	L	M	Reel Dia.	Qty/Reel
2.25	1.85	8.0	3.5	4.0	1.0	0.25	0.65	180	1000

ECS INC. INTERNATIONAL
 1105 S. Ridgeview
 Olathe, KS 66062
 (913) 782-7787

SIGNATURES	DATE
DRN AJ	10/3/2017
CHK BL	10/3/2017
APP BS	10/3/2017

TITLE
ECX-1637 Tape Spec.

SIZE A	DWG NO.	REV -
Dimensions in mm		CAGE CODE: 1G8B7
		SHEET 1 OF 1